

SUPPLY GAS REGULATOR

APPLICATION:

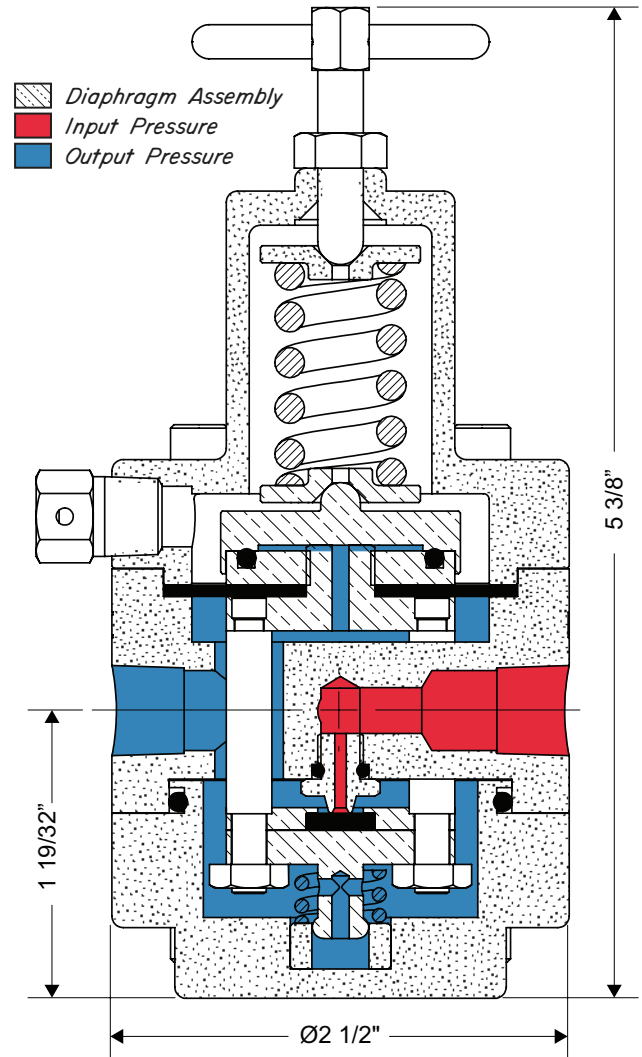
For pressure reducing service where a supply of constant reduced pressure is required for pneumatic instruments and pilot operated controllers.

FEATURES:

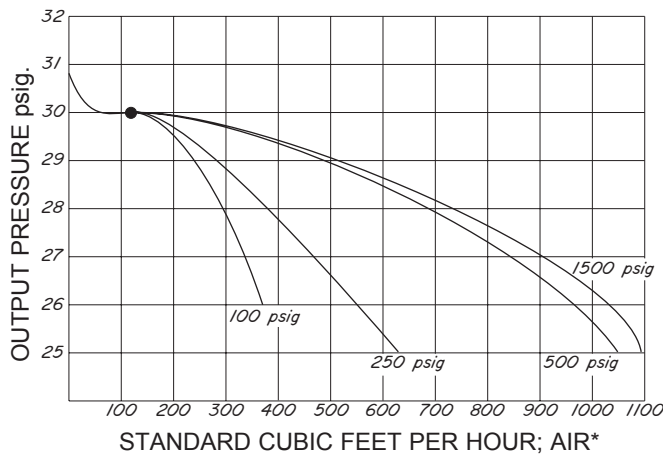
- Easily adjusted
- Internally relieving
- Available in Aluminum and 316 Stainless Steel

CERTIFICATIONS:

Canadian Registration Number (CRN):
0C15352.24567890NTY
Kimray is an ISO 9001- certified manufacturer.



CAPACITY CHART



INITIAL SET POINT AT 30 psig AT 120 S.C.F.H.
INLET PRESSURE INDICATED ON EACH CURVE.

*FOR CAPACITIES IN S.C.F.H. OF GAS AT .65 SPECIFIC GRAVITY
MULTIPLY FLOW RATE BY 1.24



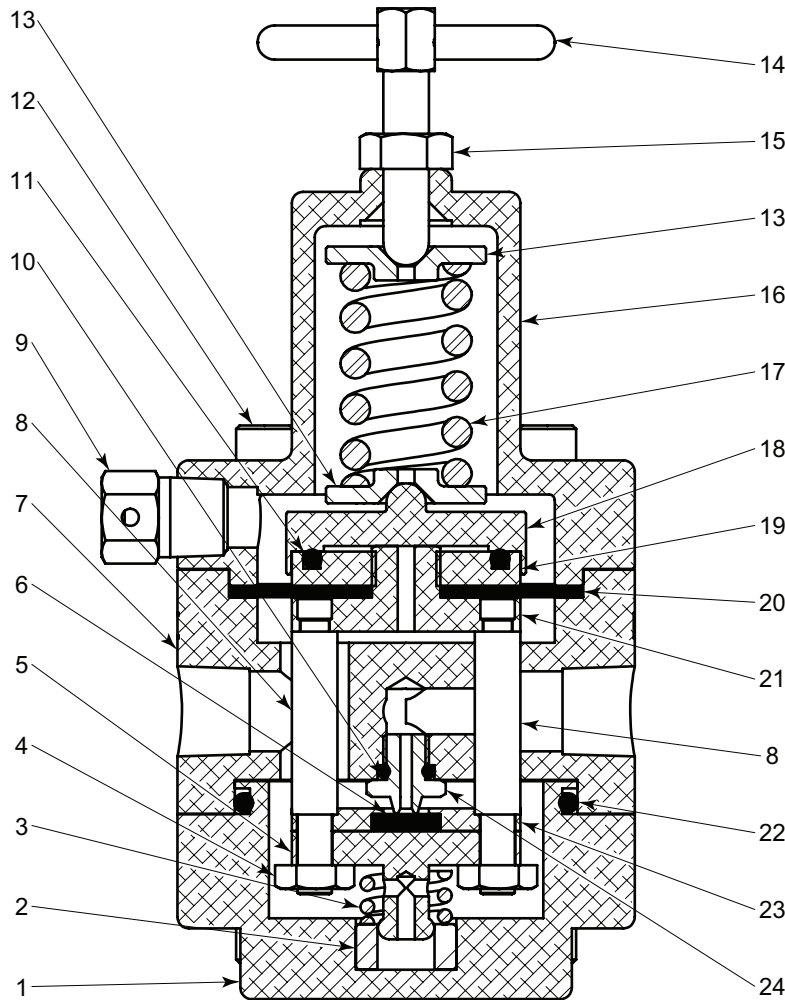
Order Code	Connection Type	Operating Temperature	Output Press psig	Max. W.P. psig †	Cv	Cf
YAV	1/4" FNPT	0°F to 200°F	10-250	4000	0.10	0.70
YAVS6		-18°C to 93°C				

NOTES:

† Max W.P. values based on -20°F to 100°F.

ACCESSORIES

SUPPLY GAS REGULATOR DRAWING & PARTS LIST



ITEM	QTY.	DESCRIPTION	PART NO		ITEM	QTY.	DESCRIPTION	PART NO	
			STANDARD	CORROSIVE				STANDARD	CORROSIVE
1	1	Base	5239	5239SS6	13	2	Spring Plate	4484SS6	
2	1	Guide Bushing *	5248		14	1	Adjusting Screw	5326	5326SS6
3	1	Spring	5250		15	1	Nut	1676	1676SS6
4	2	Nut	1103		16	1	Bonnet	5237	5237SS6
5	1	Seat Guide	5247	5247SS6	17	1	Spring	4323	
6	1	Nylon Seat *	5245		18	1	Pilot Cap	5240	5240SS6
7	1	Body	5238	5238SS6	19	1	Diaphragm Nut	5241	5241SS6
8	2	Rod	5243		20	1	Diaphragm *	5252V	
9	1	Breather Plug	1357	1357SS6	21	1	Diaphragm Plate	5242	5242SS6
10	1	O-Ring *	647		22	1	O-Ring *	2937	
11	1	O-Ring *	5253		23	1	Seat Retainer	5246	5246SS6
12	8	Screw	5251		24	1	Nozzle	5244SS6	
* These parts are recommended spare parts and are stocked as repair kits.					Repair Kit		RSP		

All Pictures shown are for illustration purpose only. Actual product may vary due to product enhancement.